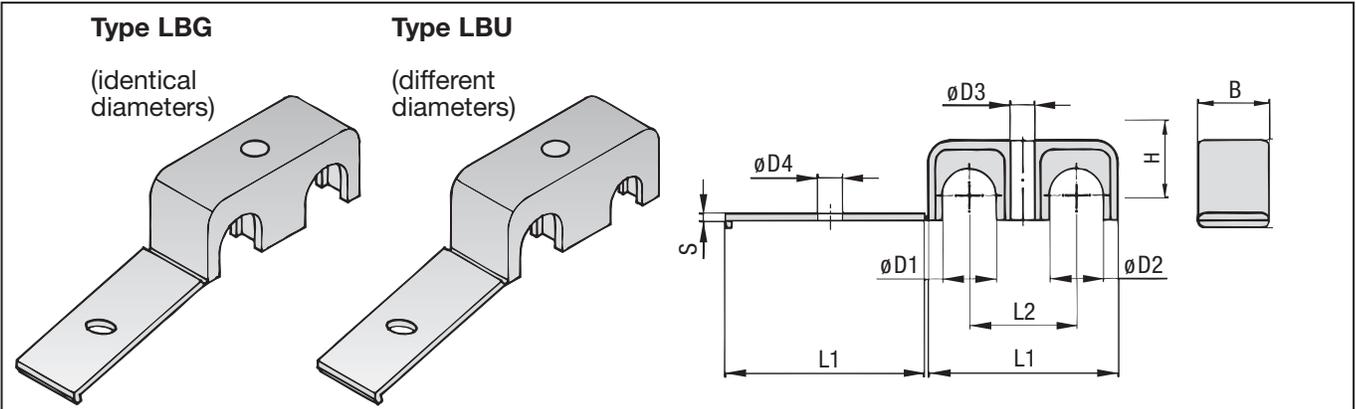


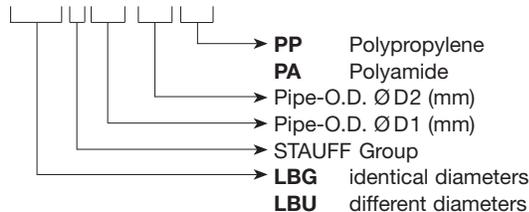
Applications: Pneumatics, Instrumentation and Automotive Technology, Machine Tool Industry, Lubrication, Mechanical Engineering



STAUFF Group	Outside diameter Tube or Hose Ø D1/D2		Nominal bore Pipe inch	L1	L2	B	H	S	ø D3	ø D4	Clamp Material XX	Color
	mm	inch										
1	03,2/03,2	1/8 / 1/8										
	06/06			31	18	12	10,5	2	6,8	7	PP	black
	06,4/06,4	1/4 / 1/4		1.22"	0.71"	0.47"	0.41"	0.08"	0.27"	0.28"	PA	yellow
	08/08											
2	09,5/09,5	3/8 / 3/8										
	10/10		1/8 / 1/8	39	22	16	14,5	2	6,8	7	PP	black
	11,1/11,1			1.54"	0.87"	0.63"	0.57"	0.08"	0.27"	0.28"	PA	yellow
	12/12											
3	12,7/12,7	1/2 / 1/2										
	13,5/13,5		1/4 / 1/4									
	14/14			53	30	20	22,5	2	6,8	7	PP	black
	15/15			2.08"	1.18"	0.79"	0.89"	0.08"	0.27"	0.28"	PA	yellow
	16/16	5/8 / 5/8										
	17,2/17,2		3/8 / 3/8									
4	18/18											
	19/19	3/4 / 3/4										
	20/20											
	21,3/21,3		1/2 / 1/2	70	38	20	30	2	6,8	7	PP	black
	22/22			2.76"	1.50"	0.79"	1.18"	0.08"	0.27"	0.28"	PA	yellow
	25/25											
25,4/25,4	1 / 1											

ORDER CODE

LBx ***/** xx



Type

- LBG** Double pipe clamp for two identical diameters
- LBU** Double pipe clamp for two different diameters

Other thermoplastics and diameters upon request.